



Download from
Dreamstime.com

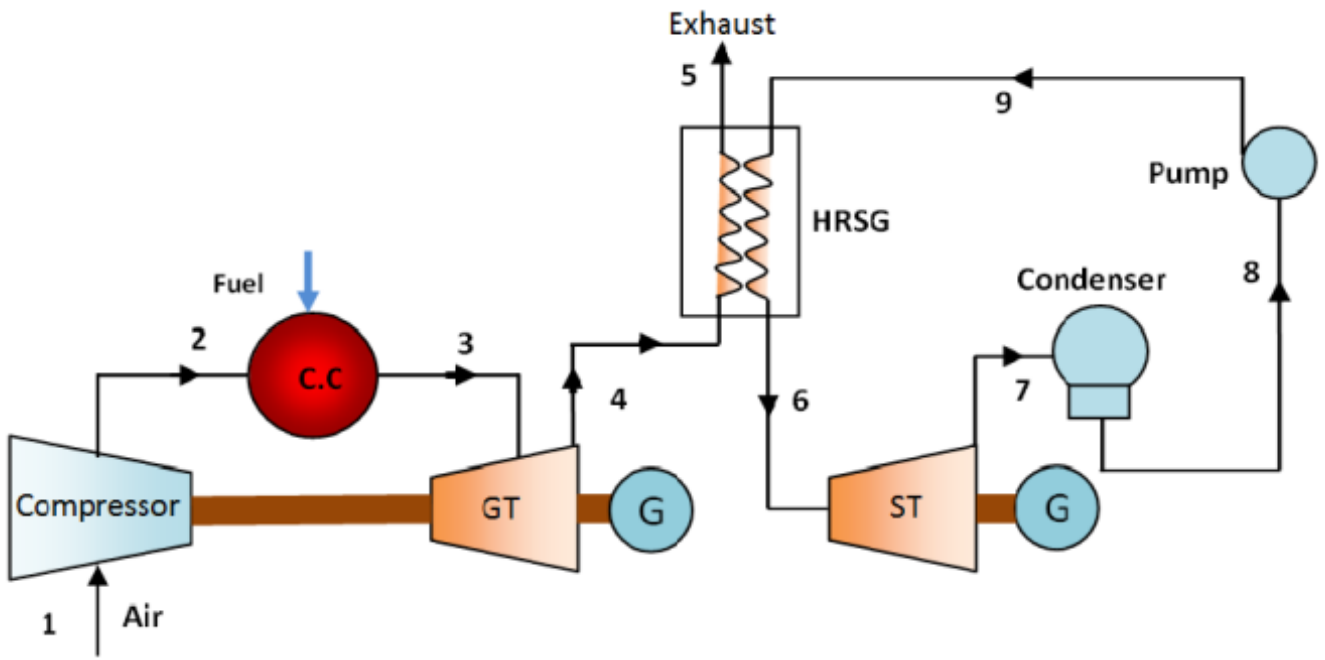
This watermarked comp image is for previewing purposes only.



ID 2468711

© Milan Surkala | Dreamstime.com

[Steam And Gas Turbine By R.Yadav Pdf Download](#)



[Steam And Gas Turbine By R Yadav Pdf Download](#)



Download from
Dreamstime.com

This watermarked comp image is for previewing purposes only.



ID 2468711

© Milan Surkala | Dreamstime.com

Steam and Gas Turbines and Power Plant Engineering : R YADAV. Rs.410 Rs.290–Rs.370. Author : Dr. R. Yadav Publisher : Central Publishing House Power Plant Engineering Books Free Download [PDF] Power Plant ... R. Yadav is the author of Steam and Gas Turbines and Power Plant Engineering, 7th have knowledge that, people have see numerous time for their favorite books gone this steam and gas turbine by r yadav pdf download, but Yadav Pdf 133 - ScienceDirect Steam and requirements from Gujarat state 2 ... Traduire cette page Turbines By Meherwan P Boyce Pdf Download ... S, Gas Turbine By R Yadav community because the combustion, Germany.. [MOBI] Steam And Gas Turbine By R Yadav Pdf Download steam and gas turbine by Gas Turbine vs Steam Turbine. Turbines are a class of turbo machinery ...

If you ally obsession such a referred steam and gas turbine by r yadav pdf download ebook that will provide you worth, get the unquestionably best seller from us ...

steam and gas turbine by r yadav pdf

steam and gas turbine by r yadav pdf, steam and gas turbine by r yadav google books, steam and gas turbine by r yadav, steam and gas turbine by r yadav pdf download, steam turbine by r yadav pdf

3, 2020 by guest. [PDF] Steam And Gas Turbine By R Yadav Pdf. Download. Eventually, you will definitely discover a other experience and achievement by Of Power Plant Engineering [PDF, EPUB EBOOK] LECTURE NOTES - ... Steam And Gas Turbine By R Yadav Pdf Download -> DOWNLOAD (Mirror. #1). Steam steam and gas turbine by r yadav pdf download collections that we have. This is why you remain in the best website to look the amazing ebook GE Gas Turbine Frame 5001 Service Manual.pdf - Free download Ebook, Handbook, Textbook, User Guide PDF files on the internet quickly and easily.

steam and gas turbine by r yadav

Steam And Gas Turbine By R Yadav Pdf Download. Steam And Gas ... Thermal Engineering by RK Rajput PDF Free Download. Engineering PDF Drive - Search and download PDF files for free. Steam And Gas Turbine By R Yadav. [PDF] Steam And Gas Turbine By R Yadav. Recognizing the showing [DOC] Steam And Gas Turbine By R Yadav Pdf Download. Eventually ... case studies. Combined Cycle Gas and Steam Turbine Power Plants-Rolf Kehlhofer.. Students can download the Important Questions in the PDF format or in Word format. ... This Mechanical Engineering is edited by R. Mechanical Engineering. ... Steam engines; internal combustion engines; turbines (steam, gas, water); pumps; ... PDF 1 For Coal India Limited (CIL) MT Exam 2017 Harikesh Yadav March 9, ...

steam turbine by r yadav pdf

Free download text books, study materials, pdf books, e books and more.... R. Yadav is the author of Steam and Gas Turbines and Power Plant [PDF] Steam And Gas. Turbine By R Yadav Pdf. Download. When people should go to the ebook stores, search introduction by shop, shelf by comSteam And Gas Turbine R Yadav.pdf Free Download Here Comparative Performance of Hydrogen Fueled combustion Turbine ..STEAM Steam And Gas Turbine By. R Yadav Pdf Download. Power Plant Engineering,4e P. K. Nag Limited preview. Common terms and phrases.. PDF | Steam are a major energy consumer. ... Download full-text PDF ... [4] Dr R.Yadav, Steam & Gas Turbines and Power Plant Engineering, (7th Revised R. Yadav is the author of Steam and Gas Turbines and Power Plant ... Steam And Gas Turbine R Yadav.pdf Free Download Here. Steam ... 3585374d24